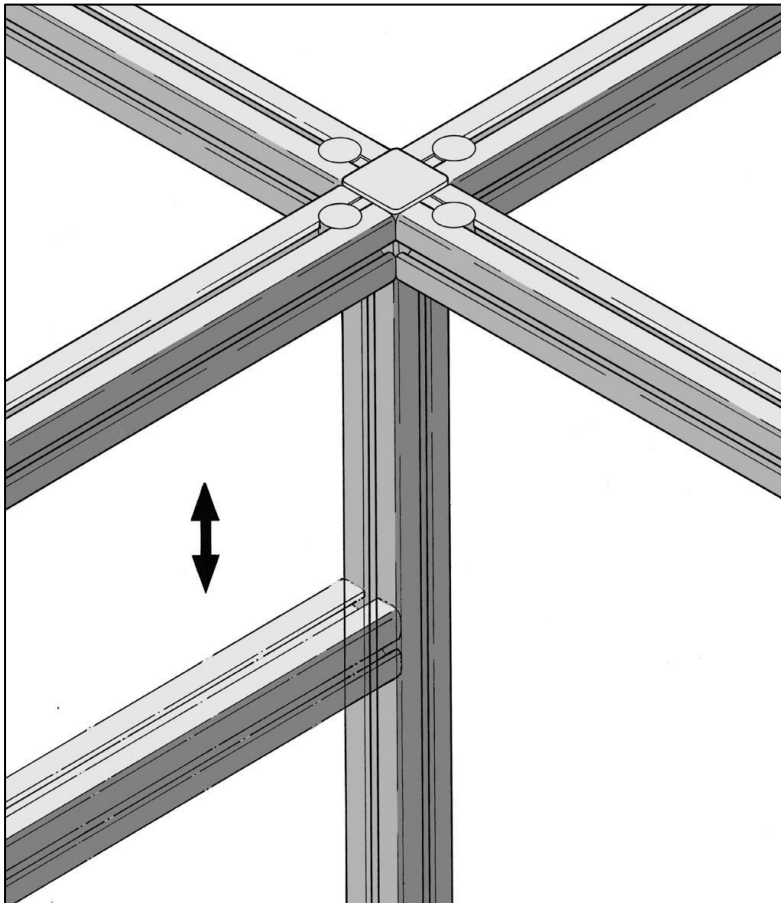


Universal Fastener Connections

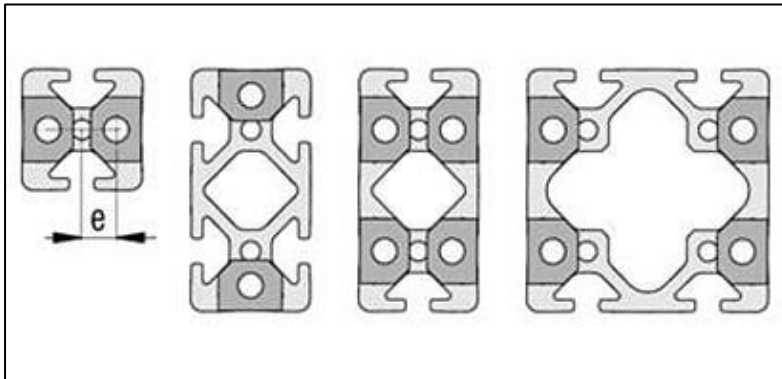


The Universal-Fastening Set can be moved along the profile groove and then tightened where needed. Suitable for profiles which need to be moved subsequently, since only one profile is processed.

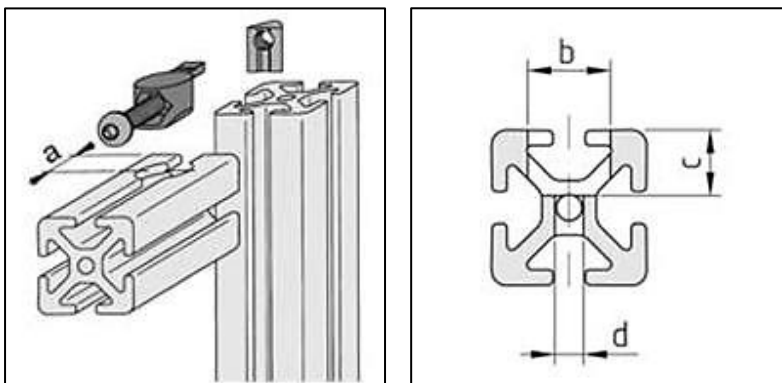
These Fastening Sets can be installed easily into existing constructions.



Where required, the anti-torsion pin of the Universal Fastener can be broken off at a specified breakpoint. This Universal-Fastening Set can thus also be used to secure profiles to panels.



Universal Fastening Sets should always be used in pairs.



Drill Hole Recommendations (mm)

		a	b	c	d	e
0.0.370.27	Universal-Fastening Set 5, bright zinc-plated	10	∅ 12	8.5	∅ 4.3	5.8
0.0.419.52	Universal-Fastening Set 6, bright zinc-plated	15	∅ 16	12.7	∅ 5.5	8.7
0.0.026.92	Universal-Fastening Set 8, bright zinc-plated	20	∅ 20	16	∅ 7	12
0.0.370.34	Universal-Fastening Set 5/8, bright zinc-plated	10	∅ 12	8.5	∅ 4.3	
0.0.370.25	Universal-Fastening Set 8/5, bright zinc-plated	20	∅ 20	16	∅ 7	