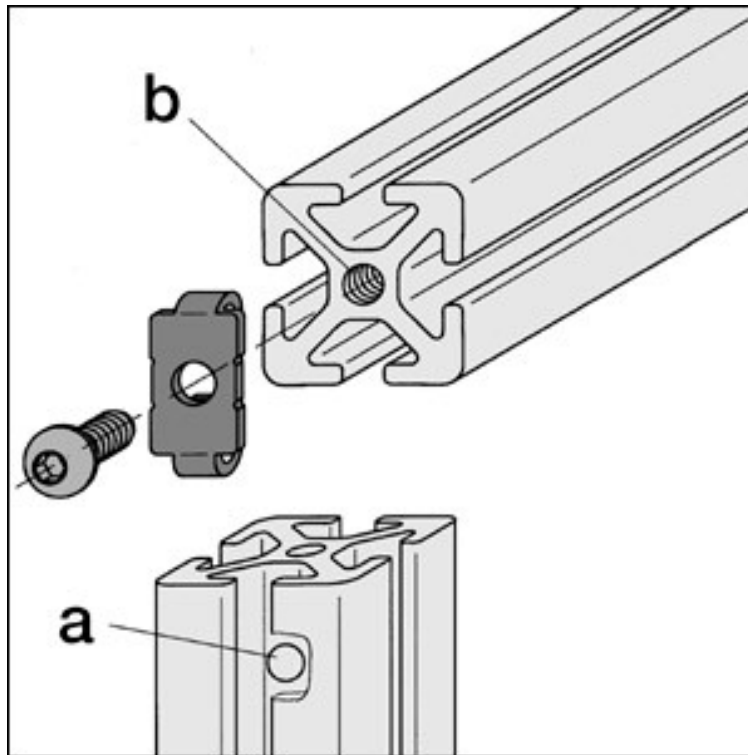
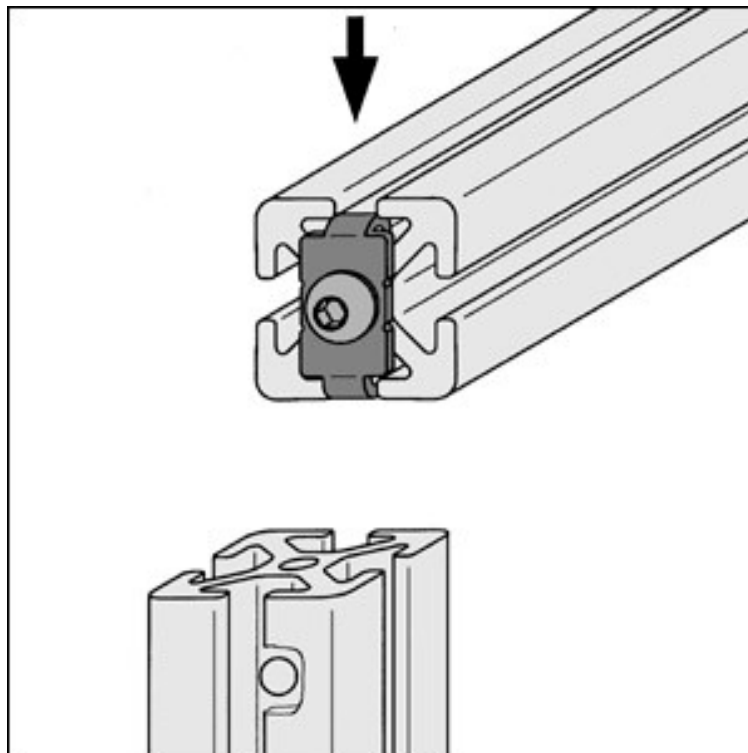


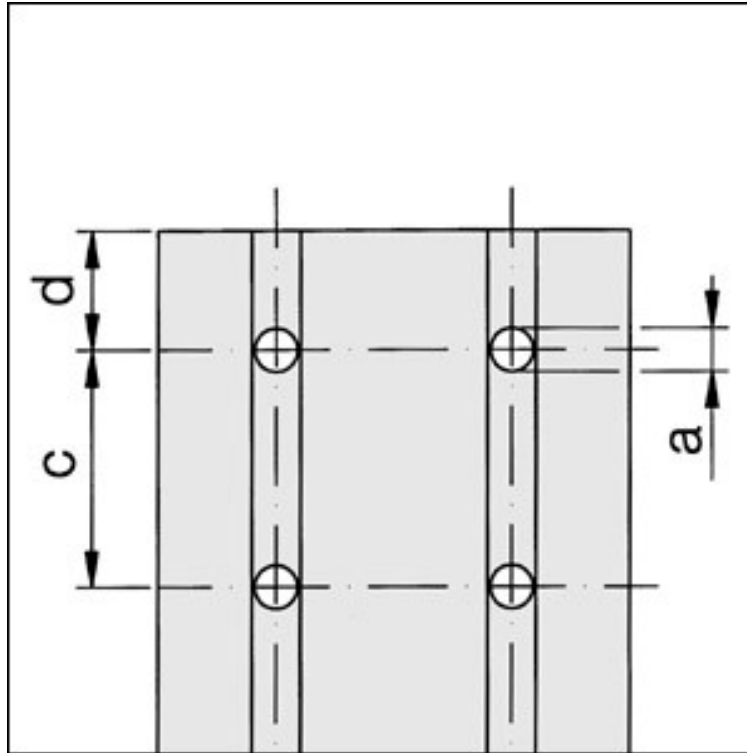
Standard Fastener Connections



The necessary thread (b) is tapped directly into the core bore of the profile.

A drill hole (a) is required for the Hex key to access the fastener when it is in place.

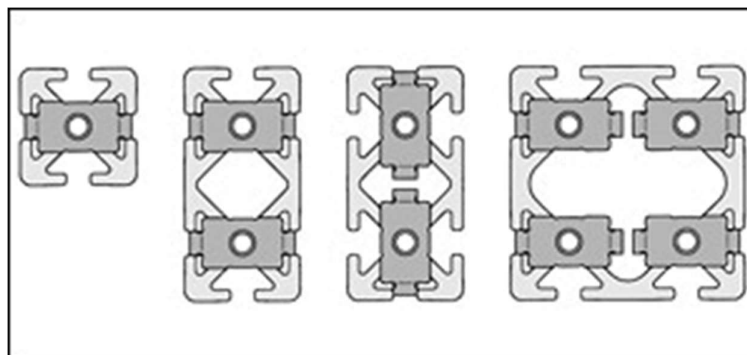




Position of the through holes for the Hex key.

Standard Fastening Set

	5	6	8	8E
a	Ø 4.3mm	Ø 5.5mm	Ø 7mm	Ø 7mm
b	M5 12mm deep	M6 15mm deep	M8 18mm deep	-
c	20mm	30mm	40mm	40mm
d	10mm	15mm	20mm	20mm



The standard connecting plates can be arranged to match the way in which the profiles are fitted.

Large profiles with high load-bearing capabilities can be connected using a larger number of Standard Fasteners.